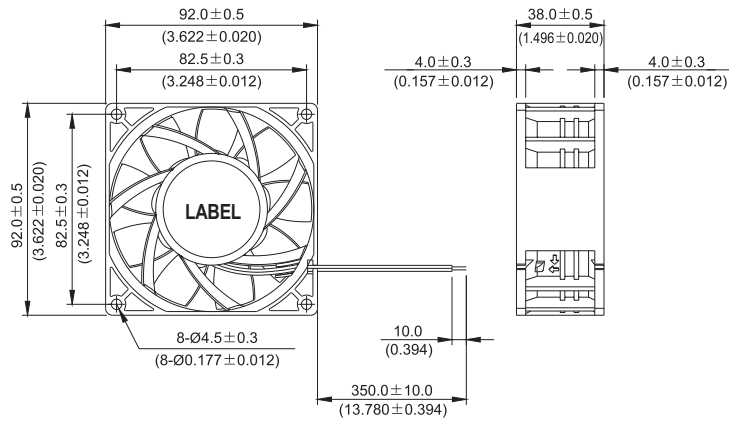


PFB 92 x 92 x 38 MM SERIES

DIMENSIONS DRAWING

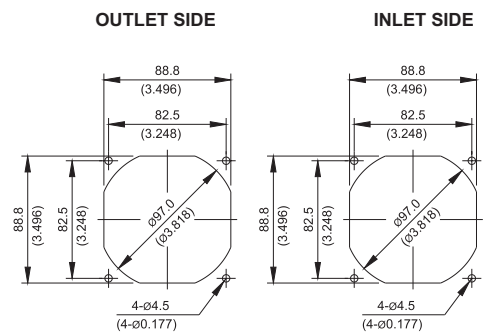
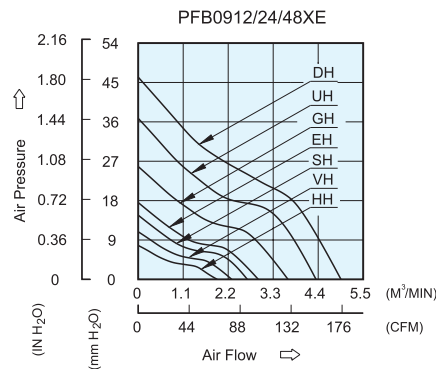


UNIT: $\frac{\text{mm}}{\text{(INCH)}}$

- * Bearing Type
Ball Bearings
- * Material
- * Impeller & Frame : Plastic (UL 94V-0)
- * Lead Wires :
UL 1007 AWG #24 OR Equivalent
Red Wire Positive (+)
Black Wire Negative (-)
- * Weight : 250g (8.82 oz)

P & Q CURVE (AT RATED VOLTAGE)

MOUNTING PANEL CUTOUT



UNIT: $\frac{\text{mm}}{\text{(INCH)}}$

MODEL		Rated Voltage	Operating Voltage Range	Input Current	Input Power	Speed	Maximum Air Flow		Maximum Air Pressure		Noise
PART NO.	FUNCTION	VDC	VDC	Amp	Watt	R.P.M.	m ³ /min	CFM	mmH ₂ O	IN H ₂ O	dB-A
PFB0912HHE	-R00 / -F00	12	7.0 to 13.2	0.33	3.96	3200	1.933	68.26	7.76	0.305	43.5
PFB0912VHE	-R00 / -F00	12	7.0 to 13.2	0.38	4.56	3800	2.287	80.77	10.88	0.428	46.2
PFB0912SHE	-R00 / -F00	12	7.0 to 13.2	0.55	6.60	4400	2.668	94.22	14.67	0.578	51.7
PFB0912EHE	-R00 / -F00	12	7.0 to 13.2	0.68	8.16	4800	2.936	103.67	17.56	0.691	54.0
PFB0924EHE	-R00 / -F00	24	14.0 to 26.4	0.33	7.92						
PFB0948EHE	-R00 / -F00	48	28.0 to 56.0	0.21	10.08	6000	3.662	129.31	25.78	1.015	60.5
PFB0912GHE	-R00 / -F00	12	7.0 to 13.2	1.22	14.64						
PFB0924GHE	-R00 / -F00	24	14.0 to 26.4	0.63	15.12	7000	4.347	153.52	36.79	1.449	64.0
PFB0948GHE	-R00 / -F00	48	28.0 to 56.0	0.36	16.80						
PFB0912UHE	-R00 / -F00	12	7.0 to 13.2	1.96	23.52	8000	4.957	175.03	46.21	1.819	66.5
PFB0924UHE	-R00 / -F00	24	14.0 to 26.4	1.02	24.48						
PFB0948UHE	-R00 / -F00	48	28.0 to 56.0	0.60	28.80						
PFB0912DHE	-R00 / -F00	12	7.0 to 13.2	3.10	37.20						
PFB0924DHE	-R00 / -F00	24	14.0 to 26.4	1.45	34.80						

* Function type is optional.
 * The max. air flow and the speed are measured in free air ; max. air pressure is measured at zero air flow.
 * Noise is measured in anechoic chamber in free air, one meter from intake side.
 * All readings are typical values at rated voltage.
 * Specifications are subject to change without notice.